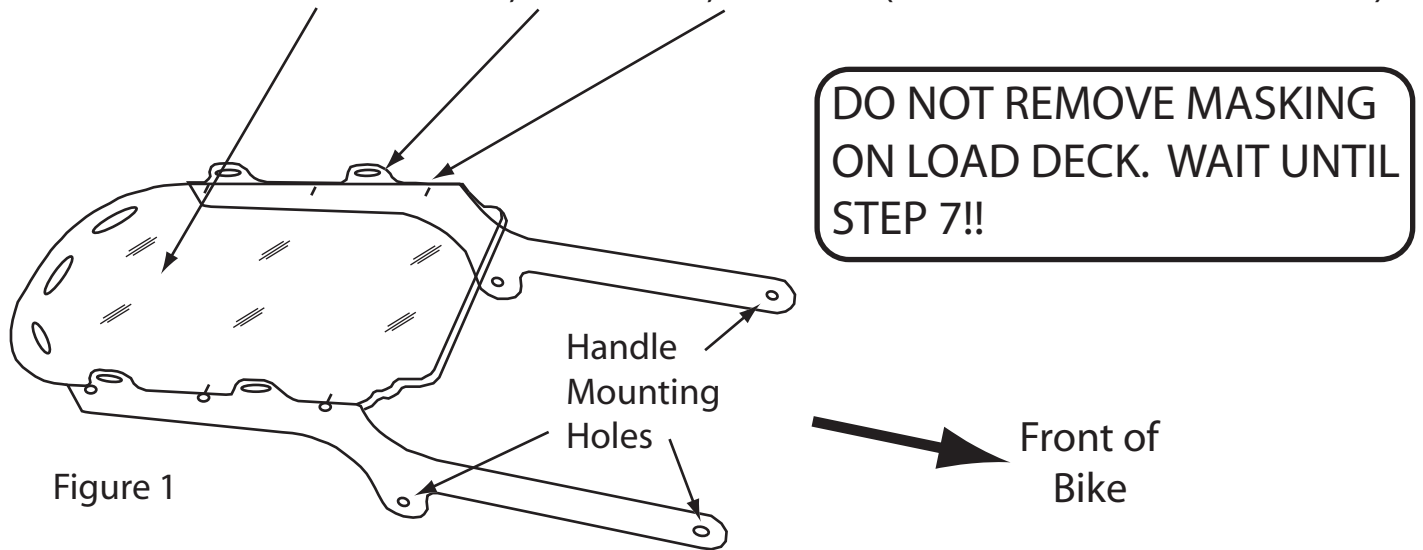


# LOAD LORD - Installation Instructions

Installation Tools: 1/8" allen wrench and 12mm socket or wrench.

Rack includes: 1 load deck, 2 side rails, 6 screws (10-24 5/8" SS button heads)



## Serow Installation:

- 1 - Remove 4 handle bolts (8mm thread), 2 rear blinkers & 2 handles.
- 2 - Place side rail over handle holes with cinch slots towards back of bike.
- 3 - Replace bolts, blinker & handle removed in step 1.
- 4 - Repeat step 3 for other side.
- 5 - Tighten all 4 handle bolts.
- 6 - Slide load deck between side rails as shown in Figure 1 to verify fit on your bike year. Slots go over tail light lens.
- 7 - If fit is okay remove masking from load deck. Place load deck between side rails as was done in step 6.
- 8 - Install 6 button head screws through side rails into tapped holes in load deck (allen wrench required). Snug screws but DO NOT OVER TIGHTEN.
- 9 - The LOAD LORD is now installed.

The LOAD LORD fits Yamaha XT225 bikes model years 1993 - 2004.